

Alegria (right hand waste)

Product code : **AL60R**

Draft revision : **20121022162311**

External dimensions : **60" x 30" x 13,5" [152,4 cm x 76,2 cm x 34,3 cm]**

Serie : **Estime**

Seats : **1**

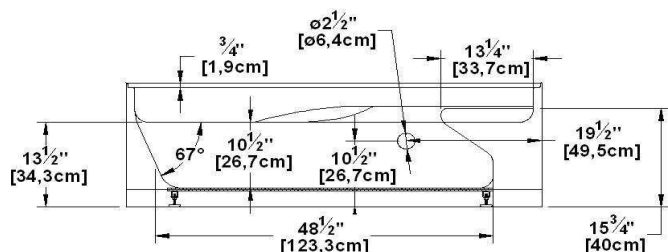
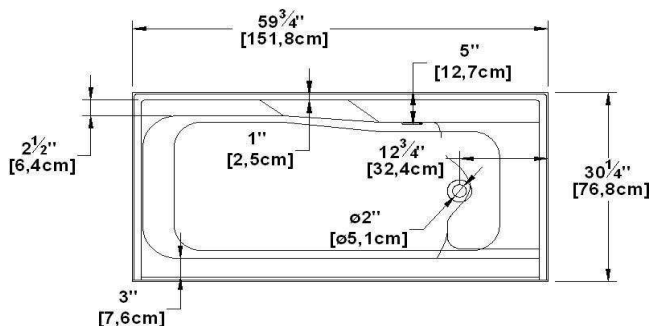
2012 catalog page : **67**

Low-profile available : **no**

Arm rests : **no**

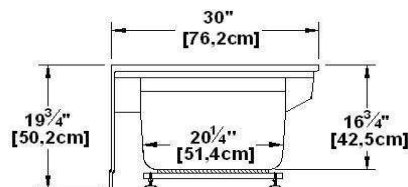
Low-profile available : **no**

Draft and specs

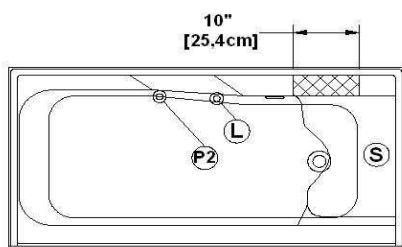


Specifications	
Capacity :	25 IMP Gal. / 32,6 US Gal. / 113,7 liters
AeroMassage™ :	41 Easy Clean™ air jets
Super AeroMassage™ :	AeroMassage™ + 12 Easy Clean™ air jets
Dynamic Turbo™ :	unavailable
Confort Air™ :	unavailable
Characteristics :	n/a

Remarks	
*all measures have a precision of ± 1/4" (0,63cm)	
*internal dimensions taken at 4" (10cm) from bath bottom	
*capacity is measured by filling the soaker to 1-1/2" under the overflow	
*textured skirt available on all freestand products	
*shelf height is 3/4" on all "low-profile" models	



Options and installation



*accessories and decorative lines positions are approximative

Additional(s) note(s) :

Integrated acrylic flanges. If system, delivered with keypad not installed.

Legend		
(S) Blower	(L) Mood light	(C) Keypad
(P1) Pump	(P2) Grab bar	
XXXXX Recommended faucets drilling location*		
Deck cut-out line - - - - -		

Available models	
Model	Availability
Soaker alone	x
Confort Air™	
AeroMassage™	x
Super AeroMassage™	x
Dynamic Turbo™ (not available in the U.S.)	
Dynamic Turbo™ + AeroMassage™	
Dynamic Turbo™ + Super AeroMassage™	

Available recommended options	
Front skirt :	Integrated
Recommended drain :	WOCO
Tiling flanges :	integrated
Floating controller :	available

*It is possible that faucets may be installed elsewhere on the product. Verify, directly on the product, that there are no conflicting parts before drilling.

IMPORTANT NOTE : Specifications, dimensions and models are subject to change.

Visit our website <http://www.oceania-attitude.com> to access up-to-date dimensions and informations. In all cases, information on the website is the most up-to-date. Dimensions may vary slightly. To ensure proper fit, measurements must be taken on the product directly.

Head office

591, avenue des Entreprises
Thetford Mines, Quebec
CANADA G6H 4B2

Phone numbers

No-charge : 1-877-332-4224
Fax : 1-866-460-4334

Internet

Web : <http://www.oceania-attitude.com>
Email : info@oceanibaths.com